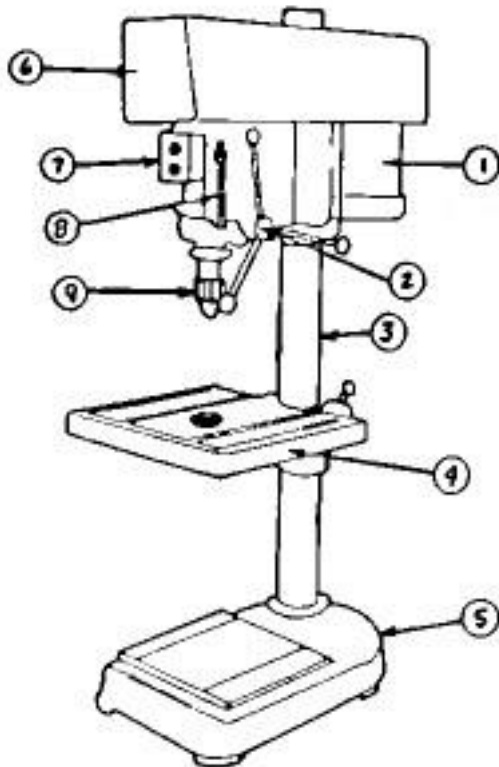


Drill Press Safety

1. Unplug the drill press before making adjustments.
2. Clamp all stock to the drill press table before drilling holes. Make sure you have a piece of scrap lumber under your stock when drilling.
3. Have your instructor check the setup prior to turning on the drill press.
4. Do not wear loose fitting clothes, neckties, or jewelry when operating the drill press. If you have long hair, tie it back so that it does not get tangled in the rotating chuck.
5. Use approved safety glasses or face shield for all operations. Always have the motor and belt guards securely in place.
6. Always make sure the chuck key has been removed from the chuck prior to turning on the drill.
7. Never use a dull drill bit; a sharp bit will produce better results and is less apt to break.
8. Do not force the bit into the stock.
9. When standing with a drill press, use a dust mask.



1. **Motor**
2. **Pilot Wheel Feed**
3. **Column**
4. **Table**
5. **Base**
6. **Belt Guard**
7. **Switch**
8. **Depth Stop**
9. **Quill**