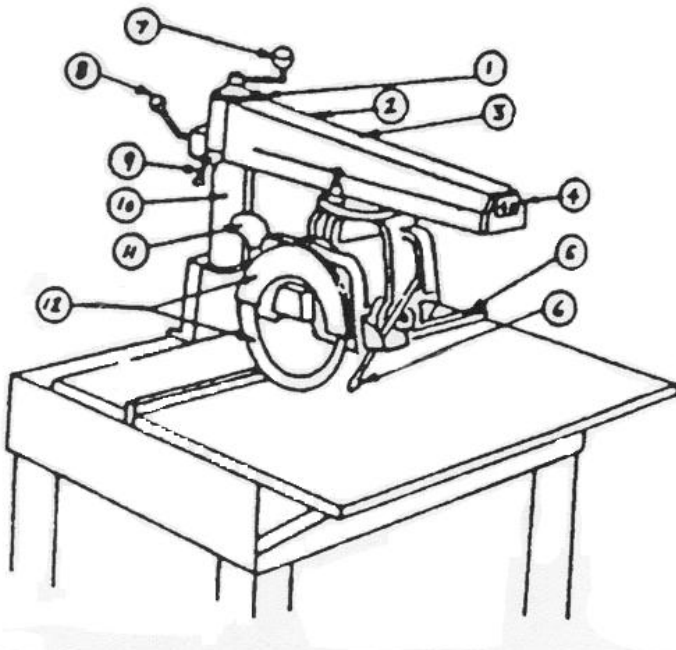


Radial Arm Saw Safety

1. Become familiar with the ON-OFF switch, its location, and operation.
2. Make sure the blade guard and sawdust deflector are set properly for the cut that is planned.
3. Check the relationship of the blade to the slot cut into the fence and the groove cut into the table. Adjust the fence as necessary to align all three.
4. Allow the saw blade to reach its full speed before beginning to cut stock.
5. Keep your hand that is not on the motor-blade assembly at least 6 inches from the blade and blade cutting path. Tuck your thumb under your hand. Hold the stock in position with the heel of your hand.
6. Always return the motor-blade assembly to the rear of the saw after making a cut. All saws under Occupational Safety and Health Act (OSHA) regulations must return automatically.
7. Do not leave the saw unattended until the blade has stopped turning. All new saws have an automatic brake to stop the blade.
8. When ripping stock, make sure the splitter and anti-kickback devices are properly adjusted. Make sure to feed the stock into the blade against the blade rotation, and not in the direction of the rotation.



1. Miter Scale
2. Return Spring
3. Arm
4. Switch
5. Fence
6. Kickback Guard
7. Elevating Handle
8. Arm Clamp Handle
9. Miter Latch
10. Column
11. Saw Dust Spout
12. Self-Adjusting Blade Guards