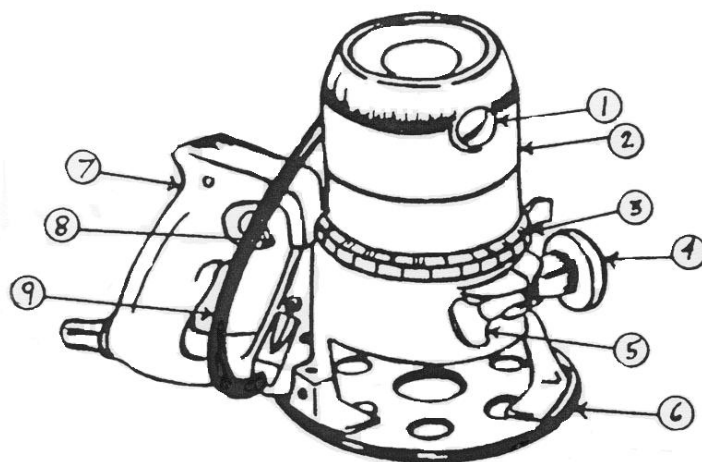


Router Safety

1. Turn off the router motor immediately after making each cut.
2. Disconnect the power cord before making any adjustments.
3. Grasp the router firmly, holding the cutter bit away from you, before turning on the motor.
4. Tighten screws and nuts securely when making adjustments. Since the router is a power tool, screws and nuts may have a tendency to vibrate loose during operation.
5. Handle the router carefully. Lay it on its side on a bench away from the work area to prevent accidentally knocking it on the floor. An alternative to laying it on its side is to place a block of wood under the base so that the bit does not contact with the table top.
6. Use only sharp router bits. Protect the cutter bits from damage by returning them to their holder immediately after use.
7. Wear a face shield or goggles when using the router. Many types of safety glasses do not prevent wood chips from falling behind the lenses and into your eyes.
8. Wear ear protection when using a router due to the high noise level.



1. **Brushes**
2. **Housing**
3. **Micrometer Depth Adjustment**
4. **Guide Knob**
5. **Locking Handle**
6. **Sub-Base**
7. **D-Handle**
8. **Insulated Trigger Switch**
9. **Motor Safety Disconnect**