

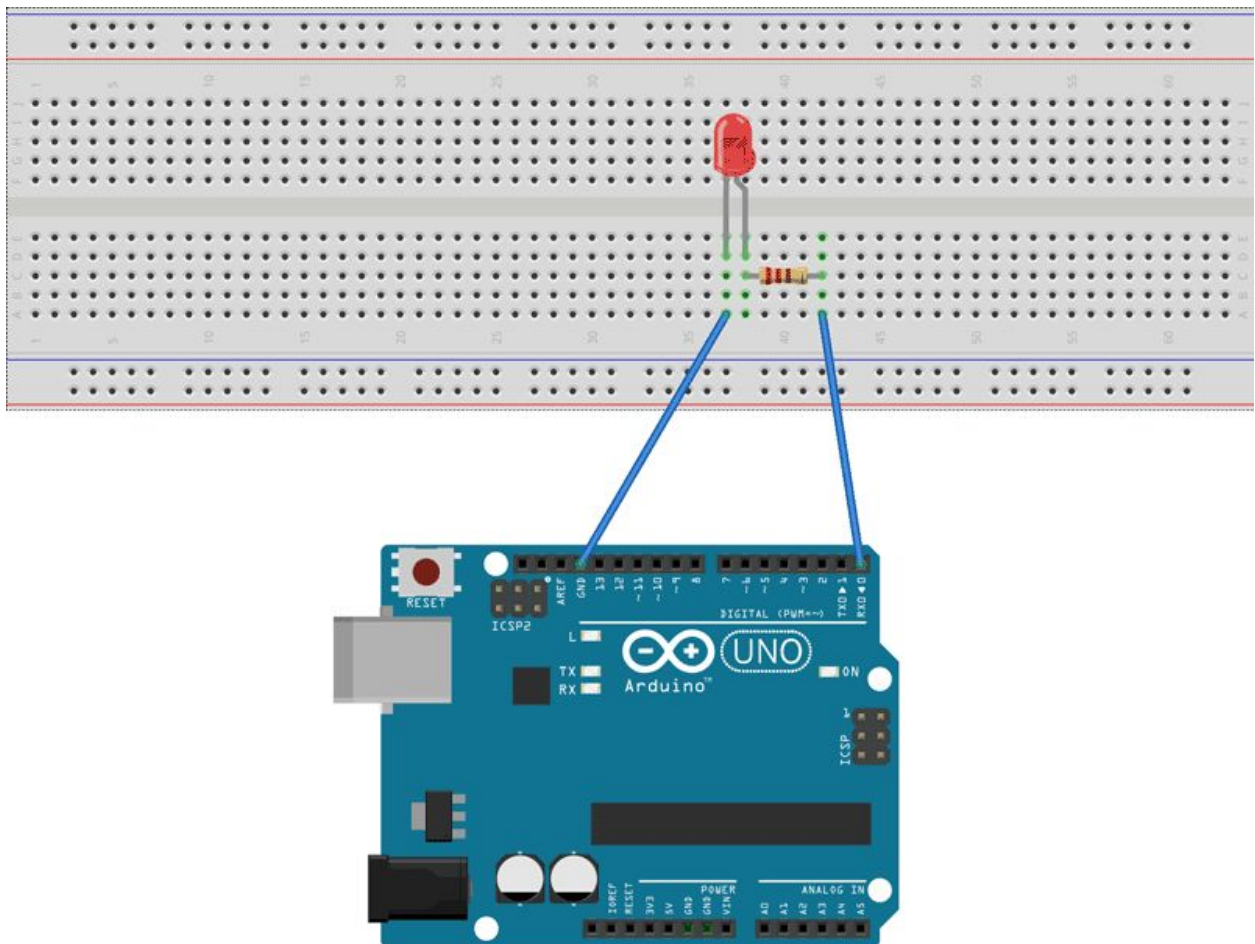
Lesson 2

Be sure your circuit is wired correctly according to the diagram.

Components Required

Hardware: Arduino uno board, connecting pins, 220Ω resistor, LED, breadboard.

Circuit Diagram and Working Explanation



fritzing

Here we are going to write a program to blink an LED for every 500ms. In arduino uno, a LED will be already designed at the pin13, but we are not going to use it. Here we are going to connect an indicating LED to PIN0 through a current limiting resistor.

Lesson 2 Code:

```
// The setup function runs when you press reset or power the board
void setup()
{
  // initialize digital pin 0 as an output.
  pinMode(0, OUTPUT);
}
// the loop function runs over and over again forever
void loop()
{
  digitalWrite(0, HIGH); // turn the LED on (HIGH is the voltage level)
  delay(500);           // wait for a second
  digitalWrite(0, LOW); // turn the LED off by making the voltage LOW
  delay(500);           // wait for a second
}
```